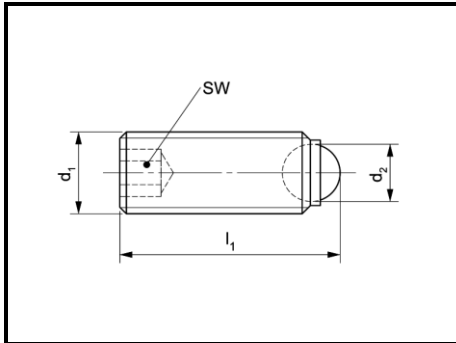


Ball-Ended Thrust Screws

headless, with full ball



Ball-ended thrust screws are used for supporting, clamping and tightening of non-parallel parts.

Versions:

Form AM: Steel, tempered,
black-oxidized;
ball hardened

Form ANM: Stainless steel 1.4305;
ball hardened

Special versions on request



Note: SW = wrench size

Product No. Form AM	Product No. Form ANM	d ₁	l ₁	d ₂	SW
03-010 AM04x08	03-050 ANM04x08	M4	8,0	2,5	2,0
03-010 AM04x10	03-050 ANM04x10	M4	10,0	2,5	2,0
03-010 AM04x12	03-050 ANM04x12	M4	12,0	2,5	2,0
03-010 AM04x16	03-050 ANM04x16	M4	16,0	2,5	2,0
03-010 AM05x08	03-050 ANM05x08	M5	8,0	3,0	2,5
03-010 AM05x10	03-050 ANM05x10	M5	10,0	3,0	2,5
03-010 AM05x12	03-050 ANM05x12	M5	12,0	3,0	2,5
03-010 AM05x16	03-050 ANM05x16	M5	16,0	3,0	2,5
03-010 AM05x20	03-050 ANM05x20	M5	20,0	3,0	2,5

Further dimensions: see next page

W. Wieland Norm-Elemente + Zeichnungsteile

Parkweg 16 • D-88471 Laupheim
Tel.: +49 (7392) 80221 • Fax: 80374
info@wieland-norm-elemente.de
www.wieland-norm-elemente.de



Product No. Form AM	Product No. Form ANM	d ₁	l ₁	d ₂	SW
03-010 AM06x10	03-050 ANM06x10	M6	10,8	4,0	3,0
03-010 AM06x12	03-050 ANM06x12	M6	12,8	4,0	3,0
03-010 AM06x16	03-050 ANM06x16	M6	16,8	4,0	3,0
03-010 AM06x20	03-050 ANM06x20	M6	20,8	4,0	3,0
03-010 AM06x25	03-050 ANM06x25	M6	25,8	4,0	3,0
03-010 AM08x10	03-050 ANM08x10	M8	11,2	5,5	4,0
03-010 AM08x12	03-050 ANM08x12	M8	13,2	5,5	4,0
03-010 AM08x16	03-050 ANM08x16	M8	17,2	5,5	4,0
03-010 AM08x20	03-050 ANM08x20	M8	21,2	5,5	4,0
03-010 AM08x25	03-050 ANM08x25	M8	26,2	5,5	4,0
03-010 AM08x30	03-050 ANM08x30	M8	31,2	5,5	4,0
03-010 AM10x12	03-050 ANM10x12	M10	13,7	7,0	5,0
03-010 AM10x16	03-050 ANM10x16	M10	17,7	7,0	5,0
03-010 AM10x20	03-050 ANM10x20	M10	21,7	7,0	5,0
03-010 AM10x25	03-050 ANM10x25	M10	26,7	7,0	5,0
03-010 AM12x16	03-050 ANM12x16	M12	18,0	8,5	6,0
03-010 AM12x20	03-050 ANM12x20	M12	22,0	8,5	6,0
03-010 AM12x25	03-050 ANM12x25	M12	27,0	8,5	6,0
03-010 AM12x30	03-050 ANM12x30	M12	32,0	8,5	6,0
03-010 AM12x40	03-050 ANM12x40	M12	42,0	8,5	6,0
03-010 AM16x20	03-050 ANM16x20	M16	23,3	12,0	8,0
03-010 AM16x25	03-050 ANM16x25	M16	28,3	12,0	8,0
03-010 AM16x35	03-050 ANM16x35	M16	38,3	12,0	8,0
03-010 AM16x50	03-050 ANM16x50	M16	53,3	12,0	8,0
03-010 AM20x30	--	M20	34,2	15,0	10,0
03-010 AM20x40	--	M20	44,2	15,0	10,0
03-010 AM20x50	--	M20	54,2	15,0	10,0
03-010 AM20x60	--	M20	64,2	15,0	10,0