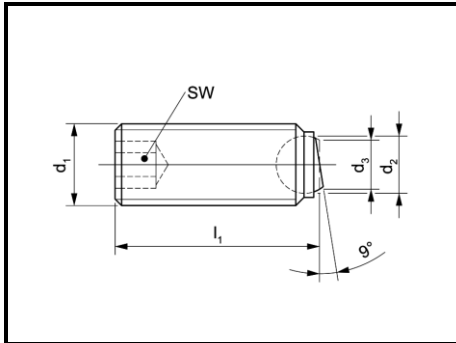


## Ball-Ended Thrust Screws

headless, with flat-faced ball



Ball-ended thrust screws are used for supporting, clamping and tightening of non-parallel parts.

### Versions:

Form BM: Steel, tempered,  
black-oxidized;  
ball hardened

Form BNM: Stainless steel 1.4305;  
ball hardened

**Ball secured against twisting  
and special versions on request.**



Note: SW = wrench size

Product No. Form BM	Product No. Form BNM	d <sub>1</sub>	l <sub>1</sub>	d <sub>2</sub>	d <sub>3</sub>	SW
03-020 BM06x10	03-060 BNM06x10	M6	10,0	4,0	3,2	3,0
03-020 BM06x12	03-060 BNM06x12	M6	12,0	4,0	3,2	3,0
03-020 BM06x16	03-060 BNM06x16	M6	16,0	4,0	3,2	3,0
03-020 BM06x20	03-060 BNM06x20	M6	20,0	4,0	3,2	3,0
03-020 BM06x25	03-060 BNM06x25	M6	25,0	4,0	3,2	3,0
03-020 BM08x10	03-060 BNM08x10	M8	10,0	5,5	4,5	4,0
03-020 BM08x12	03-060 BNM08x12	M8	12,0	5,5	4,5	4,0
03-020 BM08x16	03-060 BNM08x16	M8	16,0	5,5	4,5	4,0
03-020 BM08x20	03-060 BNM08x20	M8	20,0	5,5	4,5	4,0
03-020 BM08x25	03-060 BNM08x25	M8	25,0	5,5	4,5	4,0
03-020 BM08x30	03-060 BNM08x30	M8	30,0	5,5	4,5	4,0

Further dimensions: see next page

## W. Wieland Norm-Elemente + Zeichnungsteile

Parkweg 16 • D-88471 Laupheim  
Tel.: +49 (7392) 80221 • Fax: 80374  
info@wieland-norm-elemente.de  
www.wieland-norm-elemente.de



Product No. Form BM	Product No. Form BNM	d <sub>1</sub>	l <sub>1</sub>	d <sub>2</sub>	d <sub>3</sub>	SW
03-020 BM10x12	03-060 BNM10x12	M10	12,0	7,0	6,0	5,0
03-020 BM10x16	03-060 BNM10x16	M10	16,0	7,0	6,0	5,0
03-020 BM10x20	03-060 BNM10x20	M10	20,0	7,0	6,0	5,0
03-020 BM10x25	03-060 BNM10x25	M10	25,0	7,0	6,0	5,0
03-020 BM10x30	03-060 BNM10x30	M10	30,0	7,0	6,0	5,0
03-020 BM10x40	03-060 BNM10x40	M10	40,0	7,0	6,0	5,0
03-020 BM12x16	03-060 BNM12x16	M12	16,0	8,5	7,2	6,0
03-020 BM12x20	03-060 BNM12x20	M12	20,0	8,5	7,2	6,0
03-020 BM12x25	03-060 BNM12x25	M12	25,0	8,5	7,2	6,0
03-020 BM12x30	03-060 BNM12x30	M12	30,0	8,5	7,2	6,0
03-020 BM12x40	03-060 BNM12x40	M12	40,0	8,5	7,2	6,0
03-020 BM16x20	03-060 BNM16x20	M16	20,0	12,0	10,7	8,0
03-020 BM16x25	03-060 BNM16x25	M16	25,0	12,0	10,7	8,0
03-020 BM16x35	03-060 BNM16x35	M16	35,0	12,0	10,7	8,0
03-020 BM16x50	03-060 BNM16x50	M16	50,0	12,0	10,7	8,0
03-020 BM20x30	--	M20	30,0	15,0	13,5	10,0
03-020 BM20x40	--	M20	40,0	15,0	13,5	10,0
03-020 BM20x50	--	M20	50,0	15,0	13,5	10,0
03-020 BM20x60	--	M20	60,0	15,0	13,5	10,0