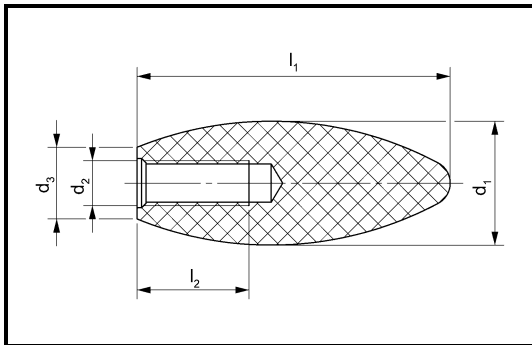


## Baling Handles

Duroplastic, polished



### Version:

Form C with plastic thread,  
Duroplastic (PF 31), polished, black

Temperature range: -30° up to max. 140° C

### On request:

- Heat resistant version, compression-moulded material
- Other colours
- Special versions

Product No.	d <sub>1</sub>	d <sub>2</sub>	d <sub>3</sub>	l <sub>1</sub>	l <sub>2</sub> min
09-100 C23xM06	23	M6	14	60	17
09-100 C23xM08	23	M8	14	60	22
09-100 C26xM08	26	M8	16	70	19
09-100 C26xM10	26	M10	16	70	25
09-100 C35xM10	35	M10	22	85	25
09-100 C35xM12	35	M12	22	85	25