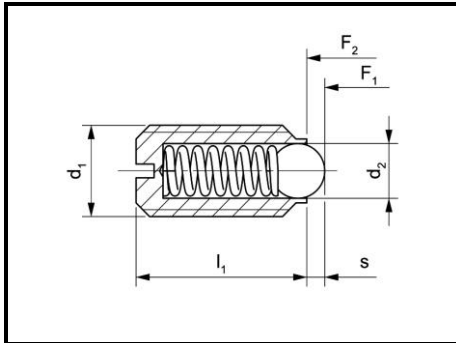


## Spring Plungers

with ball and slot, free cutting steel, black-oxidized, ball hardened



### Versions:

Form KM: standard spring load  
(M3 – M24)

Form KSM: strong spring load  
(M4 – M24)

Temperature range: up to 150° C



**Thread locking and  
special versions on request**

Product No. Form KM	d <sub>1</sub>	d <sub>2</sub>	l <sub>1</sub>	s	Spring load		Product No. Form KSM	Spring load	
					F <sub>1</sub> (N)	F <sub>2</sub> (N)		F <sub>1</sub> (N)	F <sub>2</sub> (N)
02-020 KM03	M3	1,5	7	0,5	2,2	3	-	-	-
02-020 KM04	M4	2,5	9	0,8	6	12	02-040 KSM04	10	20
02-020 KM05	M5	3,0	12	0,9	7	13	02-040 KSM05	13	30
02-020 KM06	M6	3,5	14	1,0	9	15	02-040 KSM06	24	40
02-020 KM08	M8	5,0	16	1,5	20	35	02-040 KSM08	40	60
02-020 KM10	M10	6,0	19	2,0	25	45	02-040 KSM10	60	90
02-020 KM12	M12	8,0	22	2,5	35	60	02-040 KSM12	75	115
02-020 KM16	M16	10,0	24	3,5	65	110	02-040 KSM16	115	190
02-020 KM20	M20	12,0	30	4,5	80	120	02-040 KSM20	115	210
02-020 KM24	M24	15,0	34	5,5	100	150	02-040 KSM24	125	240