

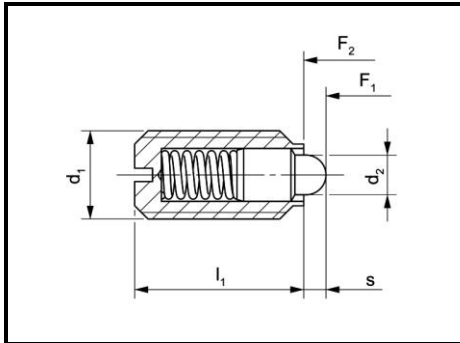
W. Wieland Norm-Elemente + Zeichnungsteile

Parkweg 16 • D-88471 Laupheim
Tel.: +49 (7392) 80221 • Fax: 80374
info@wieland-norm-elemente.de
www.wieland-norm-elemente.de



Spring Plungers

with bolt and slot, free cutting steel, black-oxidized, bolt hardened



Versions:

Form BM: standard spring load
(M4 – M24)

Form BSM: strong spring load
(M6 – M24)

Temperature range: up to 150° C



Thread locking and
special versions on request

Product No. Form BM	d ₁	d ₂	l ₁	s	Spring load		Product No. Form BSM	Spring load	
					F ₁ (N)	F ₂ (N)		F ₁ (N)	F ₂ (N)
02-030 BM04	M4	1,8	9	1,5	6	16	-	-	-
02-030 BM05	M5	2,4	12	2,0	6	17	-	-	-
02-030 BM06	M6	2,7	14	2,0	7	18	02-050 BSM06	10	35
02-030 BM08	M8	4,0	16	2,0	20	35	02-050 BSM08	40	70
02-030 BM10	M10	4,5	19	2,5	20	45	02-050 BSM10	40	80
02-030 BM12	M12	6,0	22	3,5	25	60	02-050 BSM12	60	115
02-030 BM16	M16	8,5	24	4,5	50	95	02-050 BSM16	60	150
02-030 BM20	M20	10,0	30	6,5	80	140	02-050 BSM20	100	200
02-030 BM24	M24	13,0	34	8,0	80	160	02-050 BSM24	110	230