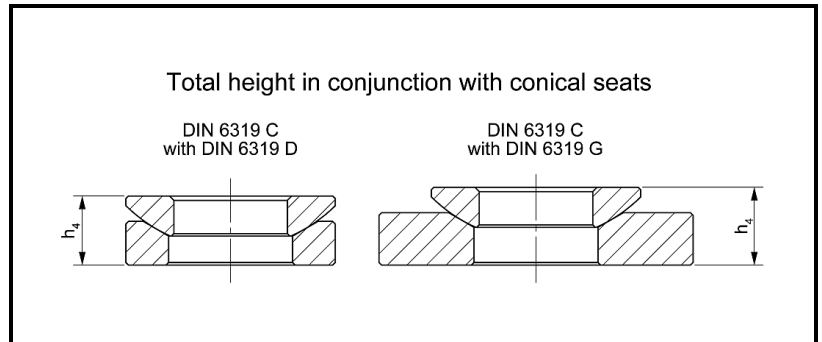
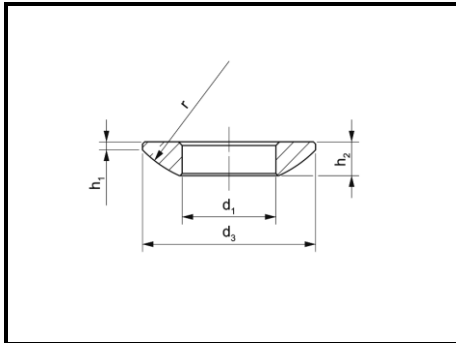


## Spherical Washers DIN 6319 Form C

Steel / Stainless Steel



### Versions:

Steel: case hardened steel

Stainless steel: 1.4305, unhardened

Product No. Steel	Product No. Stainless Steel	d <sub>1</sub> H12	d <sub>3</sub>	h <sub>1</sub>	h <sub>2</sub>	r	h <sub>4</sub> ≈		corresponding thread
							C+D	C+G	
04-010 C 6,4	04-110 C 6,4 N	6,4	12	0,7	2,3	9	4,0	5,2	M6
04-010 C 8,4	04-110 C 8,4 N	8,4	17	0,6	3,2	12	5,0	6,5	M8
04-010 C 10,5	04-110 C 10,5 N	10,5	21	0,8	4,0	15	6,3	7,1	M10
04-010 C 13,0	04-110 C 13,0 N	13,0	24	1,1	4,6	17	8,0	9,0	M12
04-010 C 15,0	04-110 C 15,0 N	15,0	28	1,2	5,0	22	8,6	9,6	M14
04-010 C 17,0	04-110 C 17,0 N	17,0	30	1,3	5,3	22	9,3	10,1	M16
04-010 C 21,0	04-110 C 21,0 N	21,0	36	2,0	6,3	27	11,5	12,0	M20
04-010 C 25,0	04-110 C 25,0 N	25,0	44	2,4	8,2	32	15,0	15,5	M24
04-010 C 31,0	04-110 C 31,0 N	31,0	56	3,6	11,2	41	19,7	19,7	M30

**Further sizes M36-M64 on request!**