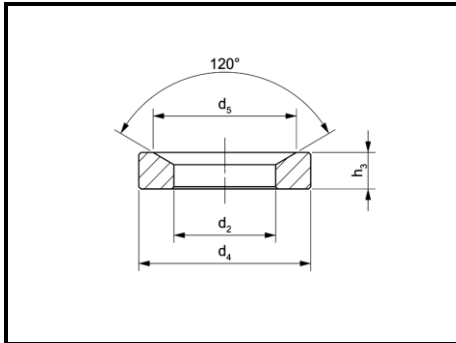


Conical Seats DIN 6319 Form D

Steel / Stainless Steel



Due to the dimension it is not allowed to use conical seats form D in connection with slotted holes.
 Only for use with bore holes.
 The conical seats has to seat solidly.

Versions:

Steel: case hardened steel

Stainless steel: 1.4305, unhardened



Product No. Steel	Product No. Stainless steel	d ₂ H12	d ₄	d ₅	h ₃	corresponding thread
04-020 D 7,1	04-120 D 7,1 N	7,1	12	11,0	2,8	M6
04-020 D 9,6	04-120 D 9,6 N	9,6	17	14,5	3,5	M8
04-020 D 12,0	04-120 D 12,0 N	12,0	21	18,5	4,2	M10
04-020 D 14,2	04-120 D 14,2 N	14,2	24	20,0	5,0	M12
04-020 D 16,5	04-120 D 16,5 N	16,5	28	24,8	5,6	M14
04-020 D 19,0	04-120 D 19,0 N	19,0	30	26,0	6,2	M16
04-020 D 23,2	04-120 D 23,2 N	23,2	36	31,0	7,5	M20
04-020 D 28,0	04-120 D 28,0 N	28,0	44	37,0	9,5	M24
04-020 D 35,0	04-120 D 35,0 N	35,0	56	49,0	12,0	M30

Further sizes M36-M64 on request!