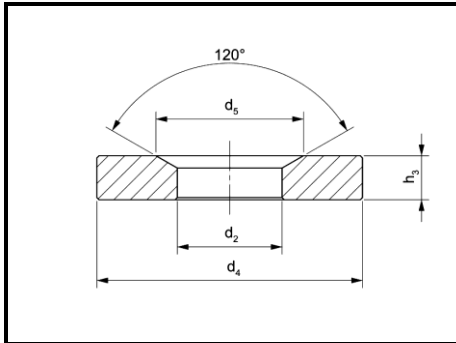


Conical Seats DIN 6319 Form G

Steel / Stainless Steel



Compared to conical seats form D, due to its solid construction conical seats form G are specially qualified for use with slotted holes or for levelling out uneven ground.

Versions:

Steel: heat treated steel, tempered

Stainless steel: 1.4305, not hardened



Product No. Steel	Product No. Stainless steel	d ₂ H12	d ₄	d ₅	h ₃	corresponding thread
04-030 G 7,1	04-130 G 7,1 N	7,1	17	11,0	4,0	M6
04-030 G 9,6	04-130 G 9,6 N	9,6	24	14,5	5,0	M8
04-030 G 12,0	04-130 G 12,0 N	12,0	30	18,5	5,0	M10
04-030 G 14,2	04-130 G 14,2 N	14,2	36	20,0	6,0	M12
04-030 G 16,5	04-130 G 16,5 N	16,5	40	24,8	6,0	M14
04-030 G 19,0	04-130 G 19,0 N	19,0	44	26,0	7,0	M16
04-030 G 23,2	04-130 G 23,2 N	23,2	50	31,0	8,0	M20
04-030 G 28,0	04-130 G 28,0 N	28,0	60	37,0	10,0	M24
04-030 G 35,0	04-130 G 35,0 N	35,0	68	49,0	12,0	M30

Further sizes M36-M64 on request!