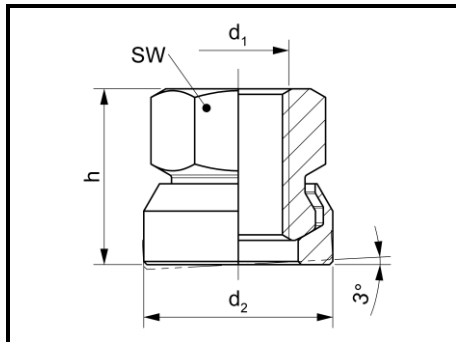


## Hexagon Nuts with Conical Seat



Hexagon nuts with conical seat are used for levelling out unevenness of nonparallel surfaces (up to 3°).

### Version:

Heat treated steel, tempered, black-oxidized

### **Special versions on request**



Note: SW = wrench size

Product No.	d <sub>1</sub>	d <sub>2</sub>	h	SW
16-020 M08	M08	17	14,0	13
16-020 M10	M10	21	17,5	16
16-020 M12	M12	24	21,5	18
16-020 M16	M16	30	28,0	24
16-020 M20	M20	36	35,0	30