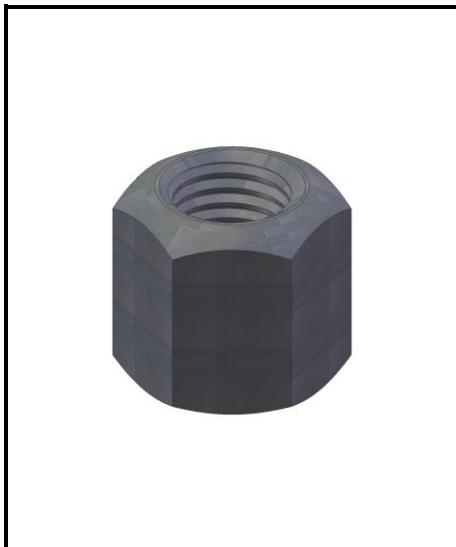
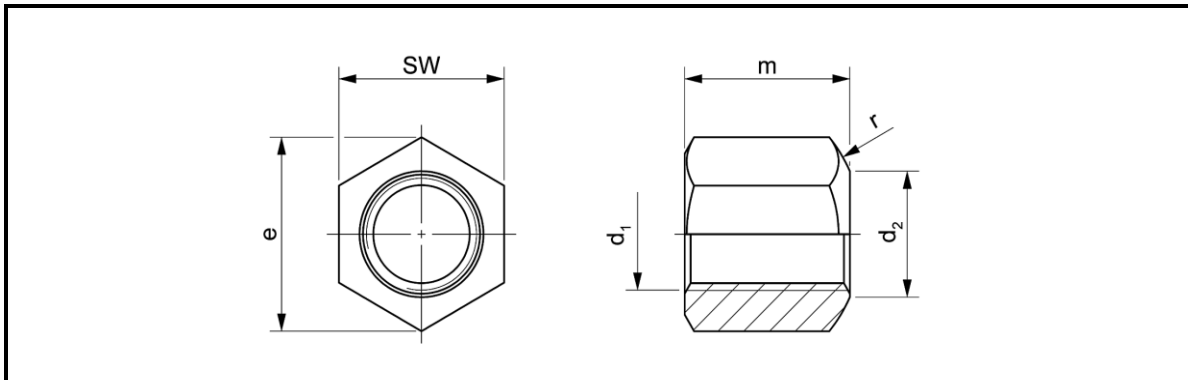


## Hexagon Nuts DIN 6330

Form B with round contact surface at one end, height 1,5d



The round contact surface is designed for use with conical seats DIN 6319 or chamfering with 120° in order to levelling out uneven ground. The plane front face can be combined with washers DIN 6340.

### Version:

Heat treated steel, quality 10, black-oxidized

**Versions with fine thread or inch thread and further dimensions on request**

Note: SW = wrench size

Product No.	d <sub>1</sub>	d <sub>2</sub>	m	r	SW	e
19-010 M06	M6	7,0	9	9	10	11,5
19-010 M08	M8	9,0	12	12	13	15,0
19-010 M10	M10	11,5	15	15	16	18,5
19-010 M12	M12	14,0	18	17	18	20,8
19-010 M14	M14	16,0	21	20	21	24,2
19-010 M16	M16	18,0	24	22	24	27,7
19-010 M18	M18	20,0	27	24	27	34,6
19-010 M20	M20	22,0	30	27	30	39,3
19-010 M24	M24	26,0	36	32	36	41,6
19-010 M30	M30	32,0	45	41	46	53,1