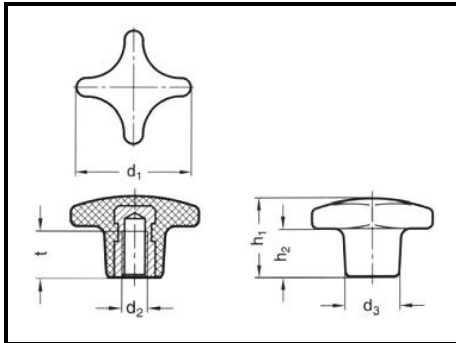


Palm Grips DIN 6335

Duroplastic, polished



Version:

Form K, Duroplastic (PF 31), polished, black

Thread bush in steel (galvanized)
 (K20 only available with brass bush)

Temperature range: -30° up to max. 140° C



On request:

- Form L with threaded bolt
- Version in thermoplastic
- Heat resistant version, compression-moulded material
- other colours
- Special versions

Product No.	d1	d2	d3	h1	h2	t min
10-010 K20xM04	20	M4	10	13	6	6,5
10-010 K25xM05	25	M5	12	16	8	9,5
10-010 K32xM06	32	M6	14	20	10	12
10-010 K40xM08	40	M8	18	25	13	14
10-010 K50xM10	50	M10	22	32	20	18
10-010 K63xM12	63	M12	26	40	25	22
10-010 K80xM16	80	M16	35	50	30	30