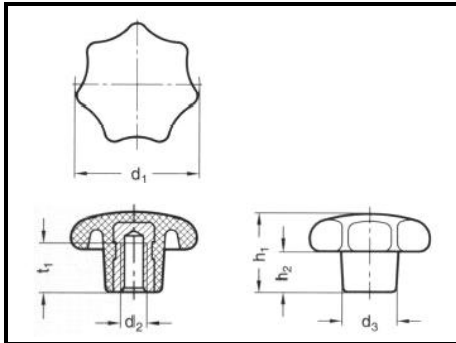


## Star Grips DIN 6336

Duroplastic, polished



### Version:

Form K, Duroplastic (PF 31), polished, black

Thread bush in steel (galvanized)  
(K20 only available with brass bush)

Temperature range: -30° up to max. 140° C



### On request:

- Form L with threaded bolt
- Version in thermoplastic
- Heat resistant version  
compression-moulded material
- other colours
- Special versions

Product No.	d <sub>1</sub>	d <sub>2</sub>	d <sub>3</sub>	h <sub>1</sub>	h <sub>2</sub>	t <sub>1</sub> min
10-020 K20xM04	20	M4	10	13	7	6,5
10-020 K25xM05	25	M5	12	16	8	9,5
10-020 K32xM06	32	M6	14	20	10	12
10-020 K40xM08	40	M8	18	25	13	14
10-020 K50xM10	50	M10	22	32	17	18
10-020 K63xM12	63	M12	26	40	21	22
10-020 K80xM16	80	M16	35	50	25	30