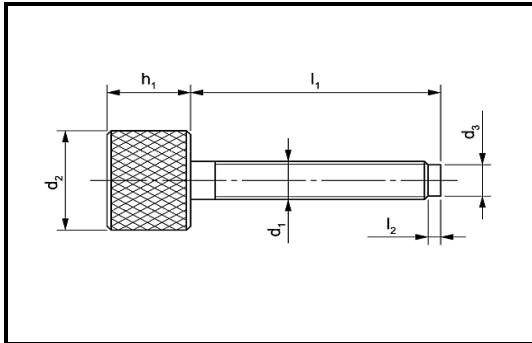


## Torque Screws

with cylindrical thrust point



Torque screws are indicated, if a defined, reproducible clamping force is required. Two adjustable, spring-loaded ball pressure elements will unlock, as soon as the final pressure is reached.

### Version:

Free cutting steel, black-oxidized, thread case-hardened

Max. clamping force: 250 N

**Special versions on request**



Product No.	d <sub>1</sub>	l <sub>1</sub>	d <sub>2</sub>	h <sub>1</sub>	d <sub>3</sub>	l <sub>2</sub>
14-050 M06x40	M6	40	26	20	4,7	3,0
14-050 M06x60	M6	60	26	20	4,7	3,0
14-050 M08x40	M8	40	26	20	6,5	3,0
14-050 M08x60	M8	60	26	20	6,5	3,0
14-050 M08x80	M8	80	26	20	6,5	3,0
14-050 M10x40	M10	40	26	20	8,2	3,0
14-050 M10x60	M10	60	26	20	8,2	3,0
14-050 M10x80	M10	80	26	20	8,2	3,0
14-050 M12x40	M12	40	26	20	10,0	3,0
14-050 M12x60	M12	60	26	20	10,0	3,0
14-050 M12x80	M12	80	26	20	10,0	3,0
14-050 M12x100	M12	100	26	20	10,0	3,0