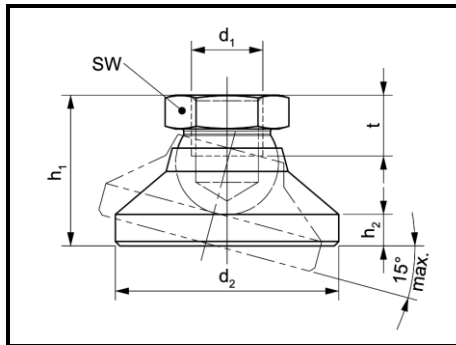


## Levelling Pads



### Versions:

- Steel/Steel: Free cutting steel, black-oxidized  
 Steel/POM: Ball element in free cutting steel, black-oxidized;  
 Pad in delrin (white)

Also available with threaded bolt



### Special versions on request

Note: SW = wrench size

Product No. Steel/Steel	Product No. Steel/Delrin	d <sub>1</sub>	d <sub>2</sub>	h <sub>1</sub>	h <sub>2</sub>	t	SW
08-100 20xM6	08-200 20xM6	M6	20	14	2,5	5,0	10
08-100 25xM8	08-200 25xM8	M8	25	18	4,0	7,0	13
08-100 32xM10	08-200 32xM10	M10	32	22	5,0	9,0	17
08-100 40xM12	08-200 40xM12	M12	40	26	6,0	11,0	19
08-100 50xM16	08-200 50xM16	M16	50	34	7,0	13,5	24
08-100 60xM20	08-200 60xM20	M20	60	42	8,0	17,0	30
08-100 60xM24	--	M24	60	45	9,5	19,0	36