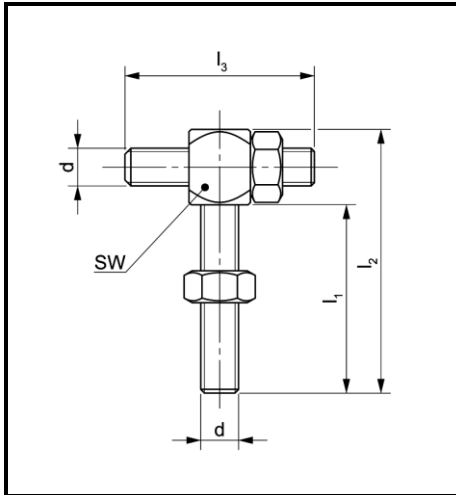


## Screw Stops

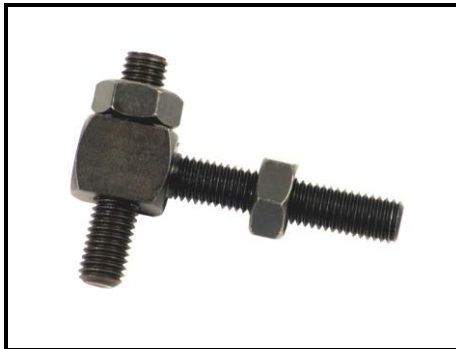
adjustable



Version:

Heat treated steel, tempered, black-oxidized

**Special versions on request**



Note: SW = wrench size

Product No.	d	l <sub>1</sub>	l <sub>2</sub>	l <sub>3</sub>	SW
13-020 M08	M8	40	56	40	13
13-020 M10	M10	50	70	50	17
13-020 M12	M12	60	84	60	19