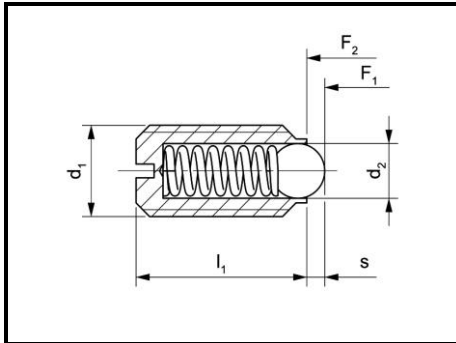


Spring Plungers

with ball and slot, stainless steel 1.4305, ball hardened



Versions:

Form KNM: standard spring load
(M3 – M24)

Form KNSM: strong spring load
(M4 – M24)

Temperature range: up to 250° C



**Thread locking and
special versions on request**

Product No. Form KNM	d ₁	d ₂	l ₁	s	Spring load		Product No. Form KNSM	Spring load	
					F ₁ (N)	F ₂ (N)		F ₁ (N)	F ₂ (N)
02-070 KNM03	M3	1,5	7	0,5	2,2	3	-	-	-
02-070 KNM04	M4	2,5	9	0,8	6	12	02-090 KNSM04	10	20
02-070 KNM05	M5	3,0	12	0,9	7	13	02-090 KNSM05	13	30
02-070 KNM06	M6	3,5	14	1,0	9	15	02-090 KNSM06	24	40
02-070 KNM08	M8	5,0	16	1,5	20	35	02-090 KNSM08	40	60
02-070 KNM10	M10	6,0	19	2,0	25	45	02-090 KNSM10	60	90
02-070 KNM12	M12	8,0	22	2,5	35	60	02-090 KNSM12	75	115
02-070 KNM16	M16	10,0	24	3,5	65	110	02-090 KNSM16	115	190
02-070 KNM20	M20	12,0	30	4,5	80	120	02-090 KNSM20	115	210
02-070 KNM24	M24	15,0	34	5,5	100	150	02-090 KNSM24	125	240