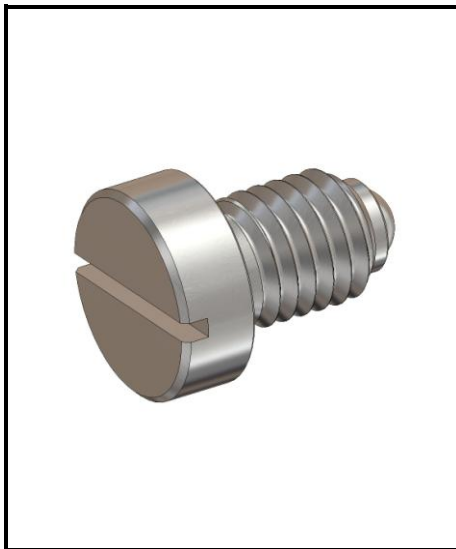
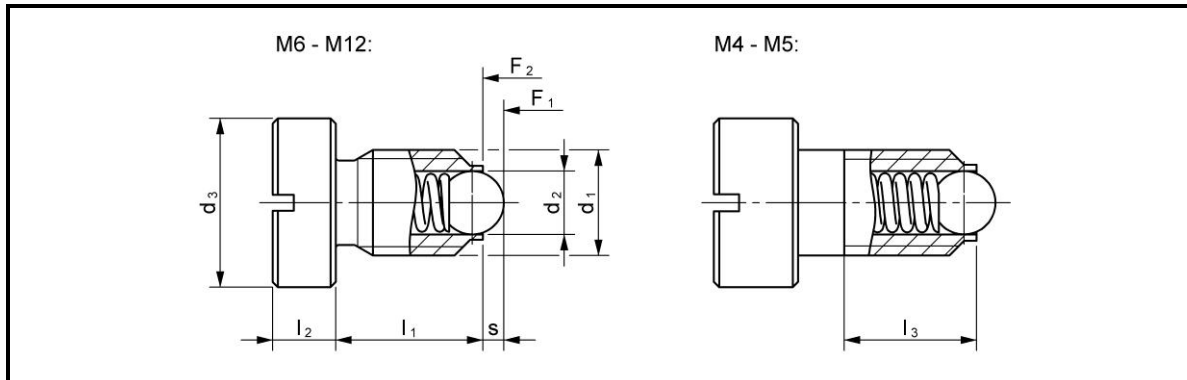


Spring Plungers

with head, ball and slot • stainless steel 1.4305 • ball hardened



Defined screwing depth due the head
 (please note l_3 for M4/M5!).
 Only available with standard spring load.

Temperature range: up to 250° C

**Thread locking and
 special versions on request**

Product No.	d_1	d_2	d_3 h9	l_1	l_2	l_3	s	Spring load	
								F_1 (N)	F_2 (N)
02-655 KNMB04	M4	2,5	6	6,5	3,0	5,0	0,8	6	12
02-655 KNMB05	M5	3,0	8	8,5	4,0	6,7	0,9	7	13
02-655 KNMB06	M6	3,5	10	9,0	5,0	--	1,0	9	15
02-655 KNMB08	M8	5,0	13	11,0	5,5	--	1,5	20	35
02-655 KNMB10	M10	6,0	16	14,0	6,0	--	2,0	25	45
02-655 KNMB12	M12	8,0	18	15,0	7,0	--	2,5	35	60