

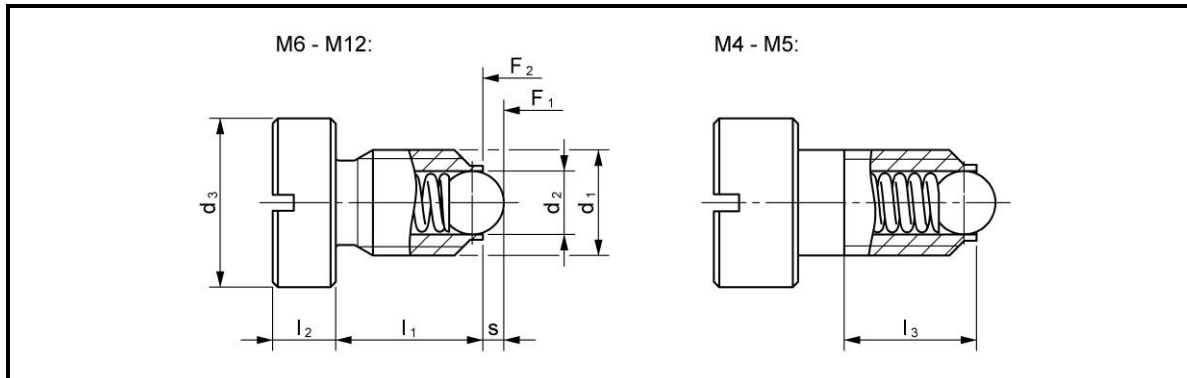
## W. Wieland Norm-Elemente + Zeichnungsteile

Parkweg 16 • D-88471 Laupheim  
Tel.: +49 (7392) 80221 • Fax: 80374  
info@wieland-norm-elemente.de  
www.wieland-norm-elemente.de



# Spring Plungers

with head, ball and slot • free cutting steel, black oxidized • ball hardened



Defined screwing depth due the head  
(please note  $l_3$  for M4/M5!).  
Only available with standard spring load.

Temperature range: up to 150° C

**Thread locking and  
special versions on request**

Product No.	$d_1$	$d_2$	$d_3$ h9	$l_1$	$l_2$	$l_3$	$s$	Spring load	
								$F_1$ (N)	$F_2$ (N)
02-650 KMB04	M4	2,5	6	6,5	3,0	5,0	0,8	6	12
02-650 KMB05	M5	3,0	8	8,5	4,0	6,7	0,9	7	13
02-650 KMB06	M6	3,5	10	9,0	5,0	--	1,0	9	15
02-650 KMB08	M8	5,0	13	11,0	5,5	--	1,5	20	35
02-650 KMB10	M10	6,0	16	14,0	6,0	--	2,0	25	45
02-650 KMB12	M12	8,0	18	15,0	7,0	--	2,5	35	60