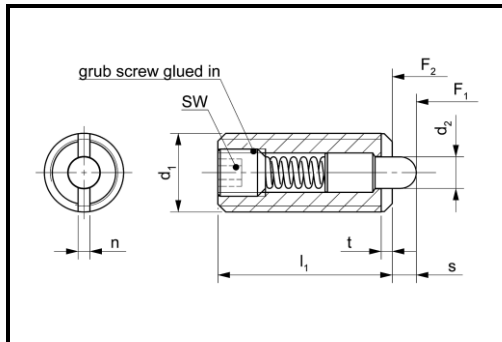


Spring Plungers

with hexagon socket • free cutting steel or stainless steel • bolt in delrin



Versions:

Form DM: free cutting steel,
black-oxidized,
bolt in delrin (white),
standard spring load

Form DNM: stainless steel 1.4305,
bolt in delrin (white),
standard spring load

Temperature range: up to 50° C

**Thread locking and
special versions on request**

Note: SW = wrench size

Product No. Form DM	Product No. Form DNM	d ₁	d ₂	l ₁	n	s	t	SW	Spring load	
									F ₁ (N)	F ₂ (N)
02-330 DM04	02-360 DNM04	M4	1,5	15	0,6	1,5	0,6	1,3	5	15
02-330 DM05	02-360 DNM05	M5	2,4	18	1,2	2,3	0,8	1,5	7	20
02-330 DM06	02-360 DNM06	M6	2,7	20	1,3	2,5	0,9	2,0	7	20
02-330 DM08	02-360 DNM08	M8	3,5	22	1,5	3,0	1,4	2,5	9	35
02-330 DM10	02-360 DNM10	M10	4,0	22	1,5	3,0	1,4	3,0	9	35
02-330 DM12	02-360 DNM12	M12	6,0	28	2,7	4,0	2,0	4,0	15	55
02-330 DM16	02-360 DNM16	M16	7,5	32	3,2	5,0	2,5	5,0	45	100