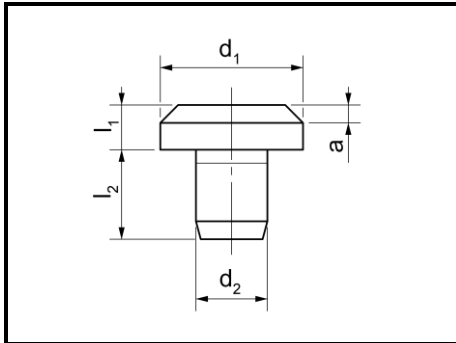


## Thrust Bolts

DIN 6321, old norm / Intermediate sizes



Thrust Bolts can be used as stop, rest, feet and plunger.

Version:

Tool steel, hardened, black-oxidized, head length grounded



**Further intermediate sizes and special versions on request**

Product No.	d <sub>1</sub>	l <sub>1</sub> h9	d <sub>2</sub> n6	l <sub>2</sub>	a (45°)
DIN 6321, old norm:					
11-010 6x5	6	5	4	6	1,2
11-010 10x8	10	8	6	8	1,6
11-010 16x5	16	5	8	10	2,0
11-010 16x13	16	13	8	10	2,0
11-010 25x8	25	8	12	14	2,5
11-010 25x20	25	20	12	14	2,5
11-010 40x13	40	13	20	20	3,2
11-010 40x32	40	32	20	20	3,2
Intermediate sizes:					
11-015 6x2,5	6	2,5	4	6,5	0,7
11-015 10x4,5	10	4,5	6	8	1,0
11-015 20x6	20	6	10	12	2,0