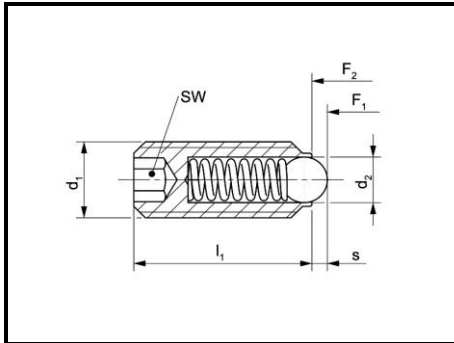


Spring Plungers

with ball and hexagon socket • free cutting steel, black-oxidized • ball hardened



Versions:

Form KM: standard spring load (M3 – M24)

Form KSM: strong spring load (M4 – M24)

Temperature range: up to 150° C



Thread locking and special versions on request

Note: SW = wrench size

Product No. Form KM	d ₁	d ₂	l ₁	s	SW	Spring load		Product No. Form KSM	Spring load	
						F ₁ (N)	F ₂ (N)		F ₁ (N)	F ₂ (N)
02-025 KM03x9I	M3	1,5	9	0,45	1,5	2,2	3	-	-	-
02-025 KM04x10I	M4	2,5	10	0,8	2,0	6	12	02-045 KSM04x10I	10	20
02-025 KM05x14I	M5	3,0	14	0,9	2,5	7	13	02-045 KSM05x14I	13	30
02-025 KM06x15I	M6	3,5	15	1,0	3,0	9	15	02-045 KSM06x15I	24	40
02-025 KM08x18I	M8	5,0	18	1,5	4,0	20	35	02-045 KSM08x18I	40	60
02-025 KM10x23I	M10	6,0	23	2,0	5,0	25	45	02-045 KSM10x23I	60	90
02-025 KM12x26I	M12	8,0	26	2,5	6,0	35	60	02-045 KSM12x26I	75	115
02-025 KM16x33I	M16	10,0	33	3,5	8,0	65	110	02-045 KSM16x33I	115	190
02-025 KM20x43I	M20	12,0	43	4,5	10,0	80	120	02-045 KSM20x43I	115	210
02-025 KM24x48I	M24	15,0	48	5,5	12,0	100	150	02-045 KSM24x48I	125	240