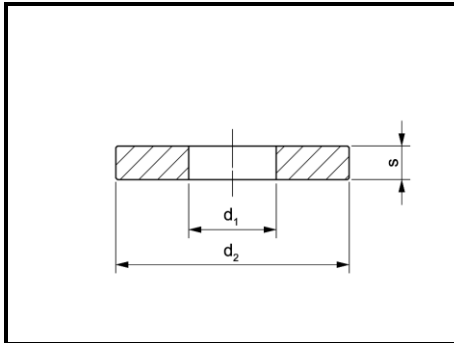


## Washers DIN 6340

tempered



Version:

Heat-treated steel, stamped out,  
machine straightened

**Versions in stainless steel on request**



Product No.	d <sub>1</sub>	d <sub>2</sub>	s	for thread
12-010 6,4	6,4	17	3,0	M6
12-010 8,4	8,4	23	4,0	M8
12-010 10,5	10,5	28	4,0	M10
12-010 13,0	13,0	35	5,0	M12
12-010 15,0	15,0	40	5,0	M14
12-010 17,0	17,0	45	6,0	M16
12-010 21,0	21,0	50	6,0	M20
12-010 25,0	25,0	60	8,0	M24
12-010 31,0	31,0	68	10,0	M30