

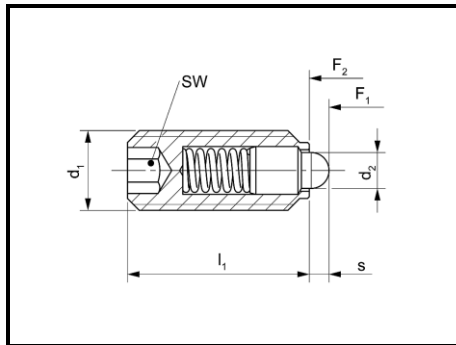
W. Wieland Norm-Elemente + Zeichnungsteile

Parkweg 16 • D-88471 Laupheim
Tel.: +49 (7392) 80221 • Fax: 80374
info@wieland-norm-elemente.de
www.wieland-norm-elemente.de



Spring Plungers

with bolt and hexagon socket, stainless steel 1.4305, bolt nitrided



Versions:

Form BNM: standard spring load (M4 - M24)

Form BNSM: strong spring load (M6 – M24)

Temperature range: up to 250° C



Thread locking and special versions on request

Note: SW = wrench size

Product No. Form BNM	d ₁	d ₂	l ₁	s	SW	Spring load		Product No. Form BNSM	Spring load	
						F ₁ (N)	F ₂ (N)		F ₁ (N)	F ₂ (N)
02-085 BNM04x10I	M4	1,8	10	1,5	2,0	6	16	-	-	-
02-085 BNM05x14I	M5	2,4	14	2,0	2,5	6	17	-	-	-
02-085 BNM06x15I	M6	2,7	15	2,0	3,0	7	18	02-105 BNSM06x15I	10	35
02-085 BNM08x18I	M8	4,0	18	2,0	4,0	20	35	02-105 BNSM08x18I	40	70
02-085 BNM10x23I	M10	4,5	23	2,5	5,0	20	45	02-105 BNSM10x23I	40	80
02-085 BNM12x26I	M12	6,0	26	3,5	6,0	25	60	02-105 BNSM12x26I	60	115
02-085 BNM16x33I	M16	8,5	33	4,5	8,0	50	95	02-105 BNSM16x33I	60	150
02-085 BNM20x43I	M20	10,0	43	6,5	10,0	80	140	02-105 BNSM20x43I	100	200
02-085 BNM24x48I	M24	13,0	48	8,0	12,0	80	160	02-105 BNSM24x48I	110	230