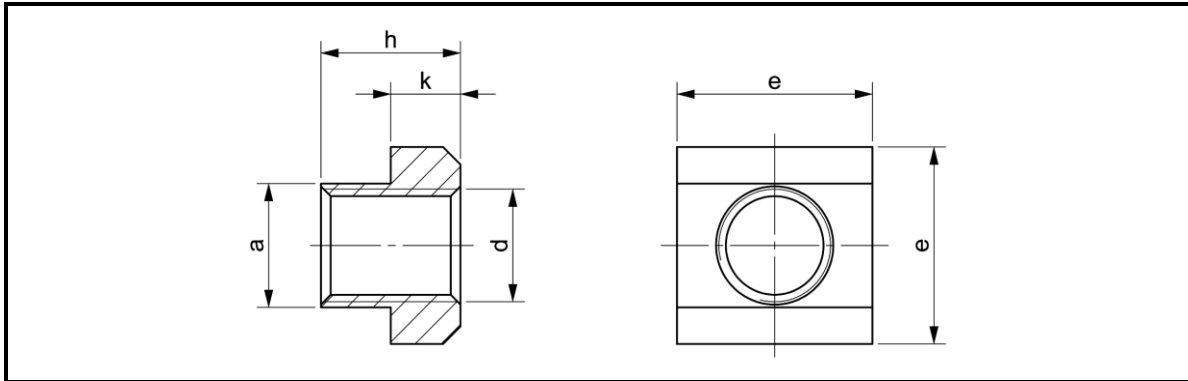


W. Wieland Norm-Elemente + Zeichnungsteile

Parkweg 16 • D-88471 Laupheim
Tel.: +49 (7392) 80221 • Fax: 80374
info@wieland-norm-elemente.de
www.wieland-norm-elemente.de



T-Nuts DIN 508



Version:

Heat-treated steel, quality 10 (black) or 8 (blank)

Further versions on request

Product No. Quality 10	Product No. Quality 8	d	T-slot size to DIN 650	a	e	h	k
15-010 M5x6-10	15-020 M5x6-8	M5	6	5,6	10	8	4
15-010 M6x8-10	15-020 M6x8-8	M6	8	7,6	13	10	6
15-010 M8x10-10	15-020 M8x10-8	M8	10	9,6	15	12	6
15-010 M10x12-10	15-020 M10x12-8	M10	12	11,6	18	14	7
15-010 M12x14-10	15-020 M12x14-8	M12	14	13,6	22	16	8
15-010 M16x18-10	15-020 M16x18-8	M16	18	17,6	28	20	10
15-010 M20x22-10	15-020 M20x22-8	M20	22	21,6	35	28	14
15-010 M24x28-10	15-020 M24x28-8	M24	28	27,6	44	36	18
15-010 M30x36-10	15-020 M30x36-8	M30	36	35,5	54	44	22