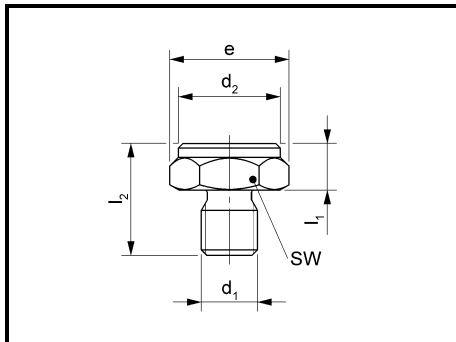


Positioning Feet

with external thread and grounded surface



Positioning feet can be used as stop, rest, feet and plunger.

Version:

Steel, case-hardened, black-oxidized, surface grounded



Further dimensions and special versions on request

Note: SW = wrench size

Product No.	d ₁	l ₁ ±0,01	l ₂	d ₂	e	SW	Tightening torque Nm (max.)
11-050 M06x10xSW13	M6	10	20	13	14,4	13	8,5
11-050 M08x10xSW17	M8	10	20	17	19,4	17	18
11-050 M10x10xSW19	M10	10	22	19	21,7	19	32
11-050 M12x10xSW22	M12	10	24	22	25,2	22	60
11-050 M12x15xSW22	M12	15	29	22	25,2	22	60
11-050 M16x15xSW30	M16	15	34	30	34,3	30	140
11-050 M16x20xSW30	M16	20	39	30	34,3	30	140