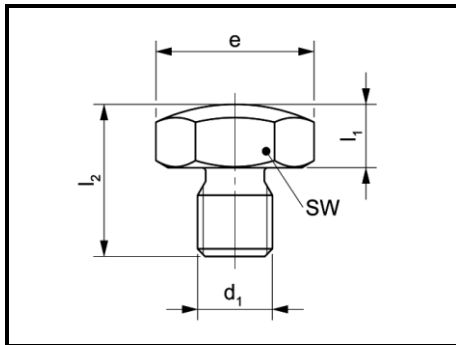


## Positioning Feet

with external thread and convexed surface



Positioning feet can be used as stop, rest, feet and plunger.

### Version:

Steel, case-hardened, black-oxidized

**Further dimensions and special versions on request**



Note: SW = wrench size

Product No.	d <sub>1</sub>	l <sub>1</sub> ±0,1	l <sub>2</sub>	e	SW	Tightening torque Nm (max.)
11-055 BM06x10xSW13	M6	10	20	14,4	13	8,5
11-055 BM08x10xSW17	M8	10	20	19,4	17	18
11-055 BM10x10xSW19	M10	10	22	21,7	19	32
11-055 BM12x10xSW22	M12	10	24	25,2	22	60
11-055 BM12x15xSW22	M12	15	29	25,2	22	60
11-055 BM16x15xSW30	M16	15	34	34,3	30	140
11-055 BM16x20xSW30	M16	20	39	34,3	30	140