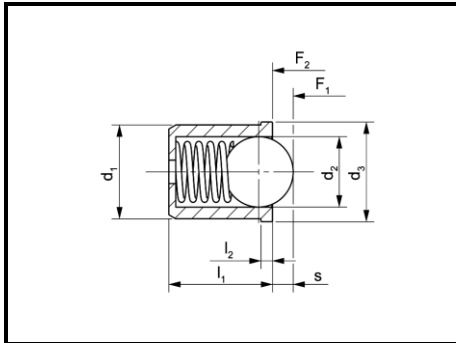


Spring Plungers

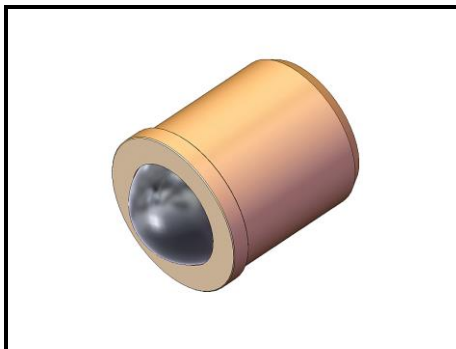
smooth version • to press in



Versions:

Form N: Body, ball und spring in stainless steel, ball hardened

Form MS: Body in brass (turned), ball and spring in stainless steel, ball hardened



Special versions on request

Product No.	d_1	d_2	Product No.	d_1	d_2	d_3	l_1	l_2	s	Spring load	
Form N	$+0,08$ 0		Form MS	$+0,08$ 0						F_1 (N)	F_2 (N)
02-510 Gr.04 N	4,0	3,0	02-520 Gr.04 MS	4,0	2,5	4,6	5,0	1,0	0,8	2,5	6,0
02-510 Gr.05 N	5,0	4,0	02-520 Gr.05 MS	5,0	3,5	5,6	6,0	1,0	1,0	3,0	6,5
02-510 Gr.06 N	6,0	5,0	02-520 Gr.06 MS	6,0	4,5	6,5	7,0	1,0	1,6	5,5	11,5
02-510 Gr.08 N	8,0	6,5	--	--	--	8,5	9,0	1,0	1,9	7,0	12,5
02-510 Gr.10 N	10,0	8,5	--	--	--	11,0	13,0	1,7	3,3	8,5	18,5
02-510 Gr.12 N	12,0	10,0	--	--	--	13,0	16,0	2,3	4,0	12,0	26,5