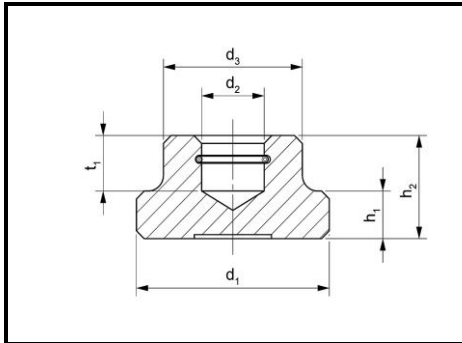


## Thrust Pads DIN 6311

Form S with spring retainer



The result of combining thrust pads DIN 6311 and grub screws DIN 6332 is a removable tensioning screw which enables the adjustment to level out uneven surfaces. Furthermore it will avoid the transmission of rotational movements to the surface of the workpiece.

### Versions:

Steel: case-hardened steel,  
spring retainer inlaid

Stainless steel: 1.4305, unhardened,  
spring retainer inlaid



**Special versions on request**

Product No. Steel	Product No. Stainless steel	d <sub>1</sub>	d <sub>2</sub> H12	d <sub>3</sub>	h <sub>1</sub>	h <sub>2</sub>	t <sub>1</sub>	corresponding grub screw
06-020 S12	06-120 S12	12	4,6	10	2,5	7	4,0	M6
06-020 S16	06-120 S16	16	6,1	12	4	9	5,0	M8
06-020 S20	06-120 S20	20	8,1	15	5	11	6,0	M10
06-020 S25	06-120 S25	25	8,1	18	6	13	7,0	M12
06-020 S32	06-120 S32	32	12,1	22	7	15	7,5	M16
06-020 S40	06-120 S40	40	15,6	28	9	16	8,0	M20