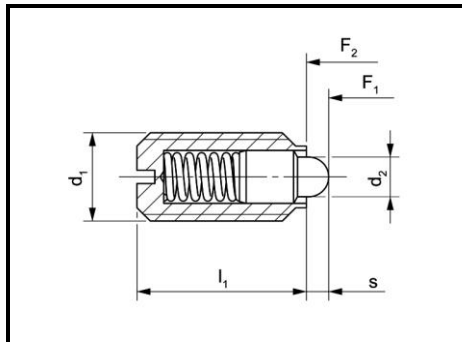


Spring Plungers

with bolt and slot • stainless steel • bolt nitrided



Versions:

Form BNM: standard spring load (M4 – M24)

Form BNSM: strong spring load (M6 – M24)

Temperature range: up to 250° C



Thread locking and special versions on request

Product No. Form BNM	d_1	d_2	l_1	s	Spring load		Product No. Form BNSM	Spring load	
					F_1 (N)	F_2 (N)		F_1 (N)	F_2 (N)
02-080 BNM04	M4	1,8	9	1,5	6	16	-	-	-
02-080 BNM05	M5	2,4	12	2,0	6	17	-	-	-
02-080 BNM06	M6	2,7	14	2,0	7	18	02-100 BNSM06	10	35
02-080 BNM08	M8	4,0	16	2,0	20	35	02-100 BNSM08	40	70
02-080 BNM10	M10	4,5	19	2,5	20	45	02-100 BNSM10	40	80
02-080 BNM12	M12	6,0	22	3,5	25	60	02-100 BNSM12	60	115
02-080 BNM16	M16	8,5	24	4,5	50	95	02-100 BNSM16	60	150
02-080 BNM20	M20	10,0	30	6,5	80	140	02-100 BNSM20	100	200
02-080 BNM24	M24	13,0	34	8,0	80	160	02-100 BNSM24	110	230